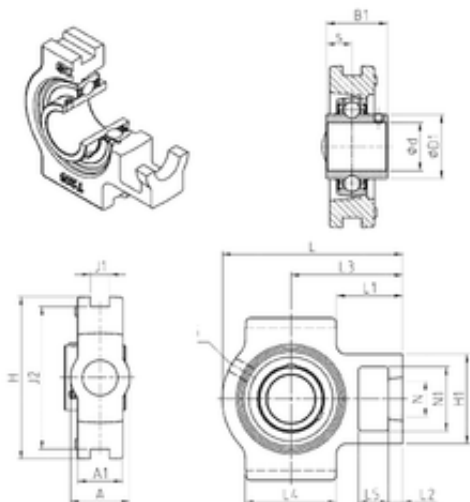




# NTN PRECISION AXLE CORP.

## SNR UCT316 bearing units

Bearing No. UCT316



UCT316 Bearing 2D drawings and 3D CAD models

Bore Diameter	80 mm
d	80 mm
L4	160 mm
L5	42 mm
L2	30 mm
L3	174 mm
s	34 mm
A	102 mm
A1	60 mm
B1	86 mm
D1	107,9 mm
H	230 mm
H1	150 mm
L	282 mm
L1	94 mm
N	53 mm
N1	98 mm
Thread (G)	M10x1
J1	30 mm
J2	204 mm
Weight	16 Kg
Basic dynamic load rating (C)	122,85 kN
A2	60 mm
B	86 mm
A5	52 mm
G	M10x1



## NTN PRECISION AXLE CORP.

H2	150 mm
N2	98 mm
s1	43 mm
S	34 mm
SW	6 mm
C	122.85 kN
C0	86.5 kN
T min.	-20 ° C
T max.	100 ° C
Recommended tightening torque for set screw	42 Nm
Designation of housing	T316-
Designation of bearing	UC316G2