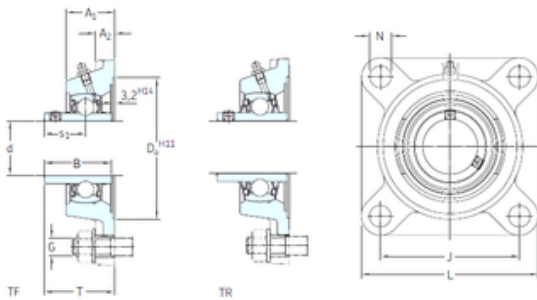




# NTN PRECISION AXLE CORP.

## SKF FY 25 TR bearing units

Bearing No. FY 25 TR



FY 25 TR Bearing 2D drawings and 3D CAD models

|                               |           |
|-------------------------------|-----------|
| Bore Diameter                 | 25 mm     |
| d                             | 25 mm     |
| Da                            | 74,6 mm   |
| s1                            | 19,8 mm   |
| A1                            | 30 mm     |
| B                             | 34,1 mm   |
| G                             | 10 mm     |
| J                             | 70 mm     |
| L                             | 95 mm     |
| N                             | 11,5 mm   |
| T                             | 38,8 mm   |
| A2                            | 12 mm     |
| Weight                        | 0,77 Kg   |
| Basic dynamic load rating (C) | 14 kN     |
| Basic static load rating (C0) | 7,8 kN    |
| Fatigue load limit (Pu)       | 0,335     |
| Category                      | Bearings  |
| Inventory                     | 0.0       |
| Manufacturer Name             | SKF       |
| Minimum Buy Quantity          | N/A       |
| Weight / Kilogram             | 0         |
| Product Group                 | M06110    |
| Housing material              | Cast iron |
| D <sub>a</sub>                | 74.6 mm   |
| D <sub>b1</sub>               | 65 mm     |
| D <sub>b2</sub>               | 71 mm     |



## NTN PRECISION AXLE CORP.

|   |               |
|---|---------------|
| A   | 30 mm         |
| A <sub>1</sub>                                    | 12 mm         |
| A <sub>3</sub>                                    | 3.2 mm        |
| A <sub>5</sub>                                    | 18 mm         |
| s <sub>1</sub>                                    | 19.8 mm       |
| R <sub>G</sub>                                    | 1/4-28 UNF    |
| R <sub>1</sub>                                    | 21 mm         |
| D <sub>N</sub>                                    | 6.5 mm        |
| SW <sub>N</sub>                                   | 7 mm          |
| G <sub>N</sub>                                    | 1/4-28 SAE-LT |
| J <sub>6</sub>                                    | 83 mm         |
| J <sub>7</sub>                                    | 19 mm         |
| N <sub>4</sub>                                    | 4 mm          |
| Basic dynamic load rating C                       | 14 kN         |
| Basic static load rating C <sub>0</sub>           | 7.8 kN        |
| Fatigue load limit P <sub>u</sub>                 | 0.335 kN      |
| Limiting speed                                    | 4300 r/min    |
| Mass bearing unit                                 | 0.69 kg       |
| Thread grub screw G <sub>2</sub>                  | M6x0.75       |
| Hexagonal key size for grub screw N               | 3 mm          |
| Recommended tightening torque for grub screw      | 4 N · m       |
| Recommended diameter for attachment bolts, mm G   | 10 mm         |
| Recommended diameter for attachment bolts, inch G | 0.375 in      |