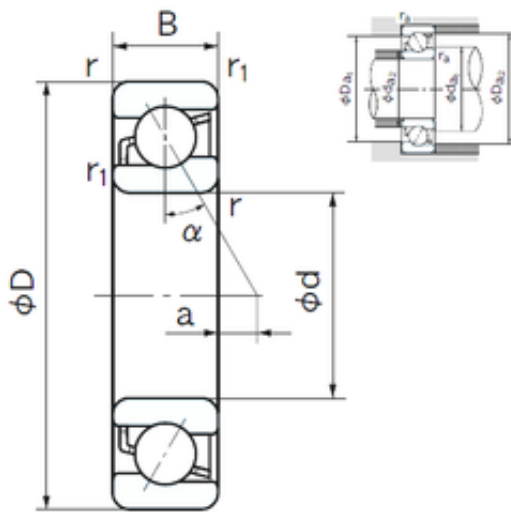




NTN PRECISION AXLE CORP.



170 mm x 310 mm x 52 mm NACHI 7234
angular contact ball bearings

Bearing No. 7234

7234 Bearing 2D drawings and 3D CAD models

Size	170x310x52 mm
Bore Diameter	170 mm
Outer Diameter	310 mm
Width	52 mm
d	170 mm
D	310 mm
B	52 mm
C	52 mm
Angle (°)	30 °
a	43.3 mm
r min.	4 mm
r1 min.	1.5 mm
da min.	188 mm
Da max.	292 mm
ra max.	3 mm
Weight	17.4 Kg
Basic dynamic load rating (C)	272 kN
Basic static load rating (C0)	330 kN
(Grease) Lubrication Speed	1800 r/min
Configuration	Single Row
Enclosure	Open
Bore Type	Cylindrical Bore
Bore Size	170 mm
Outside Diameter	310 mm
Width	52 mm



NTN PRECISION AXLE CORP.

Fillet Radius/Chamfer	4 mm
r1	1.5 mm
Dynamic Load Rating	272,000 N
Static Load Rating	330,000 N
Limiting Speed - Grease	1,800 rpm
Limiting Speed - Oil	2,400 rpm
da1 (min)	188 mm
da2 (min)	179 mm
Da1 (max)	292 mm
Da2 (max)	301 mm
ra (max)	3 mm
ra1 (max)	1.5 mm