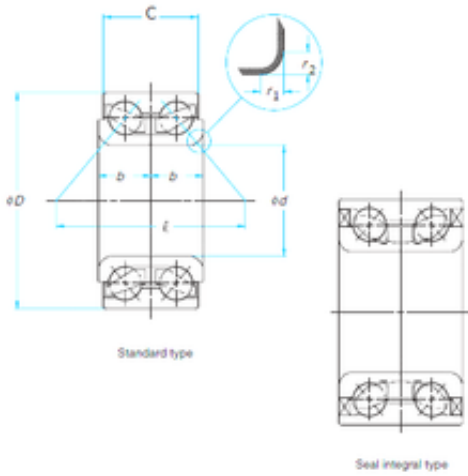




NTN PRECISION AXLE CORP.

35 mm x 72 mm x 37 mm ISO DAC35720027
angular contact ball bearings



Bearing No. DAC35720027

Size	35x72x37 mm
Bore Diameter	35 mm
Outer Diameter	72 mm
Width	37 mm
d	35 mm
D	72 mm
B	37 mm
C	37 mm

DAC35720027 Bearing 2D drawings and 3D CAD models